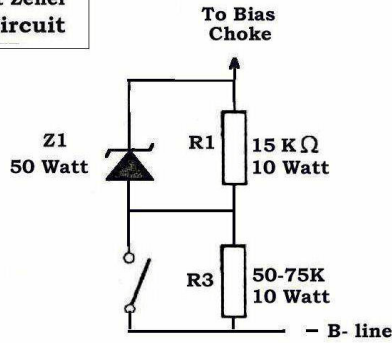


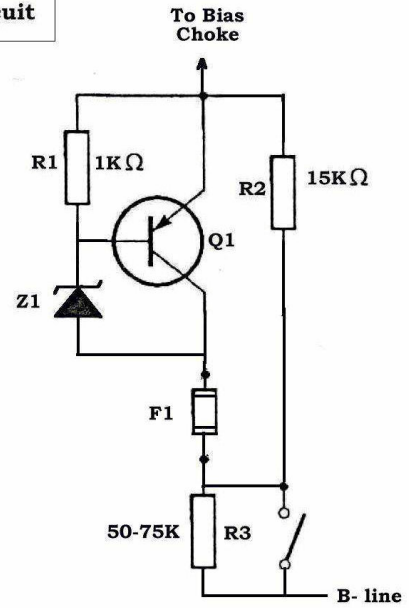
Bias Circuits HF Amps

Z1 Voltage = Correct Tube Bias MA

**50 Watt Zener
Bias Circuit**



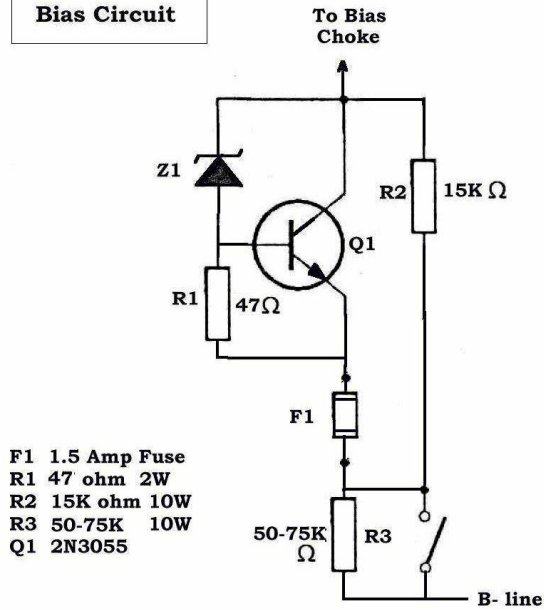
**PNP Transistor
Bias Circuit**



- F1 1.5 Amp Fuse
- R1 1K ohm 5W
- R2 15K ohm 10W
- R3 50-75K 10W
- Z1 24v 1 watt**
- Q1 2N6536

** (for 24 volt negative bias)
Z1 Voltage = Correct Tube Bias MA

**NPN Transistor
Bias Circuit**



- F1 1.5 Amp Fuse
- R1 47 ohm 2W
- R2 15K ohm 10W
- R3 50-75K 10W
- Q1 2N3055